

# B350TLA L.E.D Traffic Light

The B350 series of traffic light beacons are available in single E14 filament bulb or high output L.E.D array versions. The compact housing is ideal for space constrained applications or for mounting directly onto machinery.

## Part codes:

Version:	Part code:
10-30V dc	B350TLA030B/[x]
90-230V ac 50/60Hz	B350TLA230B/[x]

[x] = Lens colour:

A: Amber  
G: Green  
R: Red  
Y: Yellow

## Features:

- Bayonet fixing lens.
- Anti-tamper locking screw.
- Stainless steel fixings.
- Unit is supplied with a clear prismatic lens to optimise visibility in applications with high ambient light levels.



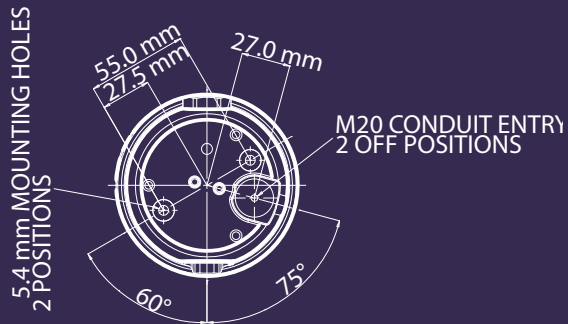
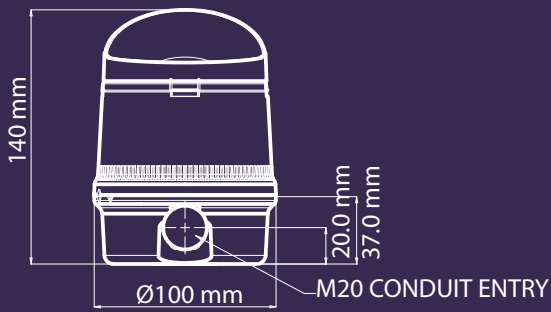
Note: B350TLA units are supplied with 'clear' lenses to maximise the light output in environments with high ambient light levels.

## Mounting brackets:

MB-B350T-S	Mounting bracket kit for a single B350 type unit.
MB-B350T-M	Mounting bracket kit for linked multiple B350 type units.

Note: Multiple unit connector is supplied with each product.





**Specification:**

Light source:	High output L.E.D.
Light output:	15 x L.E.D. array
Function:	Permanent
L.E.D. colours:	Amber, Green, Red & Yellow
Peak/ Effective Intensity cd:	54 cd*
Lens type:	Prismatic
Mounting:	Surface mount (Wall mount bracket available)
Entries:	1 x 5-7mm push through grommet 1 x M20 cable entry
Dimensions:	ø100 x 140mm
Ingress protection:	IP65
Housing material:	High impact UL94 V0 (f1) PC
Terminals:	0.5 to 1.5mm <sup>2</sup>
Operating temperature:	-25 to +50°C
Storage temperature:	-40 to +70°C
Relative humidity:	90% at 20°C.
Weight :	350g

**Current consumption:**

Version:	Current mA:
Version:	Current mA:
10-30V dc	110mA
90-230V ac 50/60Hz	10-30mA



\*Candela measurements representative of performance with clear lens at optimum voltage.